
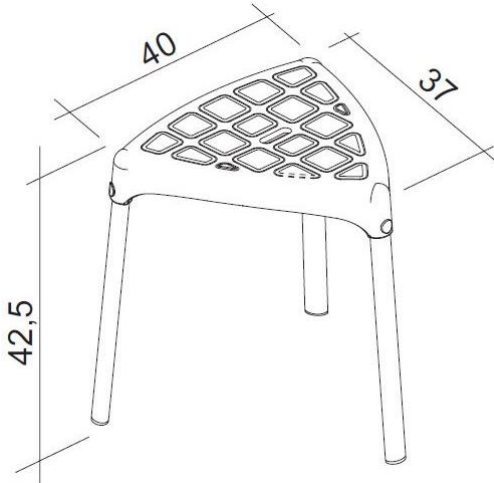


**TECHNICAL FILE**

<b>PRODUCT RANGE:</b> KING																						
<b>CODE:</b> KING-STT-00																						
<b>DESCRIPTION:</b> TRIANGLE STOOL FIXED KING																						
<b>PRODUCT FEATURES:</b> The KING Triangle Shower Stool allows increased independence during the shower stages of daily personal hygiene, reducing muscle fatigue due to standing position as well as slipping and injuries risks. The non slip rubber feet ensure grip with the floor, and the height adjustable legs allow the user to change easily the total height according to their requirements. In addition, the shower stool with customised height can be used with different setting length between the front and rear legs. In particular, the front legs can be lower than the rear ones: this allows the user to keep more correct postures while taking a shower, as well as to facilitate the standing and sitting procedures. Due to its flexibility, the shower stool can be positioned even on bumpy and irregular floor, like those typical of many shower trays. The shower stool can be easily moved due to its light weight.																						
<b>MECHANICAL PERFORMANCE:</b> Max user weight 150 kg; 330 lb.																						
<b>CERTIFICATIONS:</b> CE Declaration of conformity of the European Regulation for Medical Device 2017/745.																						
<b>APPLICABLE NORMS:</b> EN ISO 14971:2019, EN ISO 12182:2012, EN 1041:2008 + A1:2013 1041, EN ISO 14001:2015, EN ISO 13485:2016																						
<b>MAINTENANCE:</b> Periodically check that fixing fittings conform to initial mounting. Clean with water and non-aggressive detergent. Do not use abrasive or corrosive products.																						
<b>PRODUCT PACKAGING:</b> Box dimensions: 509X452.5X113.5 mm. Gross Weight: 1.255 kg. Net Weight: 0.985 kg. Shipping carton dimensions: 460X518X244 mm.																						
<table border="1"> <thead> <tr> <th>PACKAGING COMPONENTS</th> <th>Q.TY</th> <th>CODE</th> </tr> </thead> <tbody> <tr> <td>Box</td> <td>1</td> <td>RI-BOX-PR-B</td> </tr> <tr> <td>Shipping Carton</td> <td>1/2</td> <td>RI-BOX-BSB</td> </tr> <tr> <td>User Manual</td> <td>1</td> <td>UM-KINGSTTA-00</td> </tr> <tr> <td>Box Label</td> <td>1</td> <td>BL-BKINGSTTA-00</td> </tr> <tr> <td>Shipping Carton Label</td> <td>1/2</td> <td>BL-CKINGSTTA-00</td> </tr> <tr> <td>Product Label</td> <td>1</td> <td>PL-ASKINGSTTA-00</td> </tr> </tbody> </table>		PACKAGING COMPONENTS	Q.TY	CODE	Box	1	RI-BOX-PR-B	Shipping Carton	1/2	RI-BOX-BSB	User Manual	1	UM-KINGSTTA-00	Box Label	1	BL-BKINGSTTA-00	Shipping Carton Label	1/2	BL-CKINGSTTA-00	Product Label	1	PL-ASKINGSTTA-00
PACKAGING COMPONENTS	Q.TY	CODE																				
Box	1	RI-BOX-PR-B																				
Shipping Carton	1/2	RI-BOX-BSB																				
User Manual	1	UM-KINGSTTA-00																				
Box Label	1	BL-BKINGSTTA-00																				
Shipping Carton Label	1/2	BL-CKINGSTTA-00																				
Product Label	1	PL-ASKINGSTTA-00																				
<table border="1"> <thead> <tr> <th>PRODUCT COMPONENTS</th> <th>Q.TY</th> <th>MATERIAL</th> <th>REF.</th> </tr> </thead> <tbody> <tr> <td>Seat</td> <td>1</td> <td>Polypropylene 30% CC</td> <td>1</td> </tr> <tr> <td>Plastic Pin</td> <td>3</td> <td>Polypropylene</td> <td>2</td> </tr> <tr> <td>Legs</td> <td>3</td> <td>Anodized Aluminium</td> <td>3</td> </tr> <tr> <td>Plastic Caps</td> <td>3</td> <td>Polypropylene</td> <td>4</td> </tr> </tbody> </table>	PRODUCT COMPONENTS	Q.TY	MATERIAL	REF.	Seat	1	Polypropylene 30% CC	1	Plastic Pin	3	Polypropylene	2	Legs	3	Anodized Aluminium	3	Plastic Caps	3	Polypropylene	4		
PRODUCT COMPONENTS	Q.TY	MATERIAL	REF.																			
Seat	1	Polypropylene 30% CC	1																			
Plastic Pin	3	Polypropylene	2																			
Legs	3	Anodized Aluminium	3																			
Plastic Caps	3	Polypropylene	4																			

The above data cannot be binding. LM Global Design Ltd. reserves itself the right to make technical or aesthetic modifications without notice at any time.