

ROUND BATHROOM STOOL

INTENDED USAGE:

The *KING Round Bathroom Stool* allows increased independence during the daily use of the bathroom, reducing muscle fatigue due to standing position as well as slipping and injuries risks. Due to its flexibility, the bathroom stool can be positioned even on bumpy and irregular floor. The bathroom stool can be easily moved due to its light weight.

INDICATIONS AND CONTRAINDICATIONS:

The KING Round Bathroom Stool is aimed to elderly people, people with reduced mobility of lumbar, knee or hip, and to all those who have difficulty to maintain the standing position during the daily use of the bathroom. The user is required to have autonomy of balance during the sitting and standing procedures as well as to have adequate ability to keep sitting. The stool must not be used if the user has problems related to balance or perception disorders.

SAFETY WARNING AND INDICATIONS:

- The maximum user weight indicated in the fitting instructions must not be exceeded.
- Before every use, be sure the bathroom stool is correctly assembled and in a stable position.
- The bathroom stool can be used only on free from obstacles surfaces.
- During the assembly, strictly adhere what is shown in the User Manual.
- The risk of fingers injuries may increase during mounting process.
- Do not swing on the bathroom stool, this may lead to slip, overturning or subsidence of the legs. Always keep the shower stool on its 4 legs.
- Do not modify the bathroom stool and its components in any way.
- Do not use the bathroom stool if damaged or altered in any way. Cracks and deformations may strongly affect the performances and safety of the device.
- After use, the bathroom stool should be removed from the shower tray to avoid any obstruction.
- Do not use the bathroom stool for a different purpose from the intended ones.
- The bathroom stool must not be stored outdoors.

MAINTENANCE INFO:

The products maintenance consists of the cleaning and sanitation procedures. In order to guarantee a safe use and adequate standard of hygiene, the user should perform these procedures before every use. The user has to make certain of the structural integrity of the device and its components. For cleaning and sanitation procedures, follow the steps below:

1. Gloves should be worn.
2. Remove the evident dirt before to proceed with the most accurate disinfection.
3. Use water or non aggressive detergent for the cleaning procedure.
4. Wipe with a dry and clean cloth.

Alternatively, the product can be cleaned in domestic dishwashers at the maximum temperature.

REUSE REQUIREMENTS:

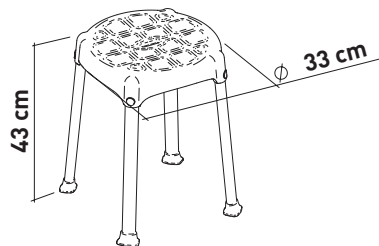
The product is suitable for reuse by other users. Before reuse by others, the product must be correctly cleaned and sanitized. Before the transfer of the product to others, the product must be checked by qualified dealers.

CORRECT DISPOSAL PROCEDURE:

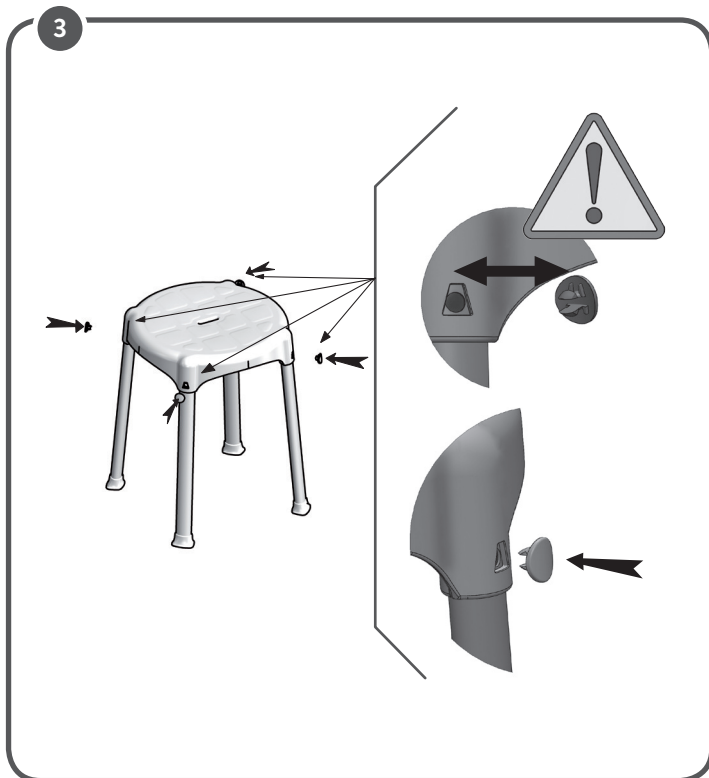
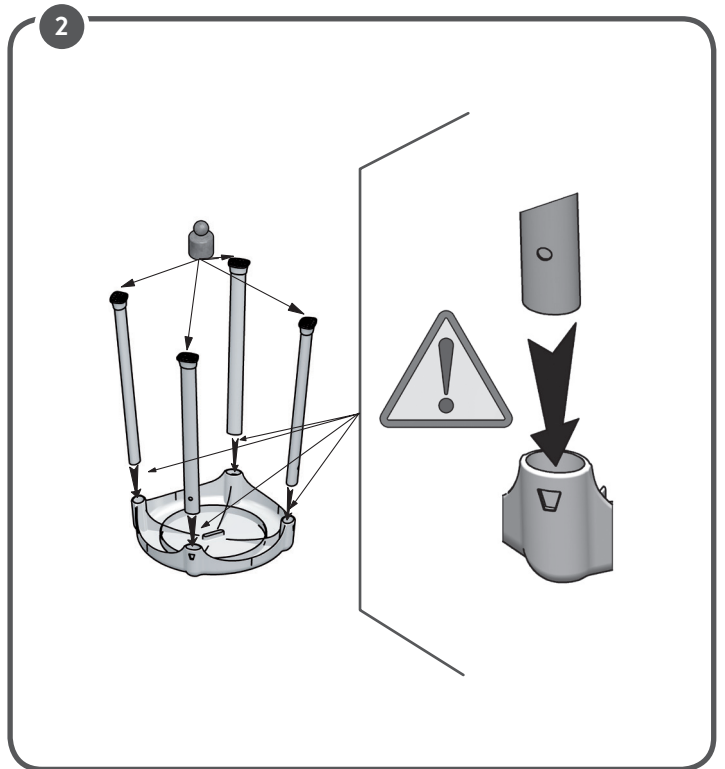
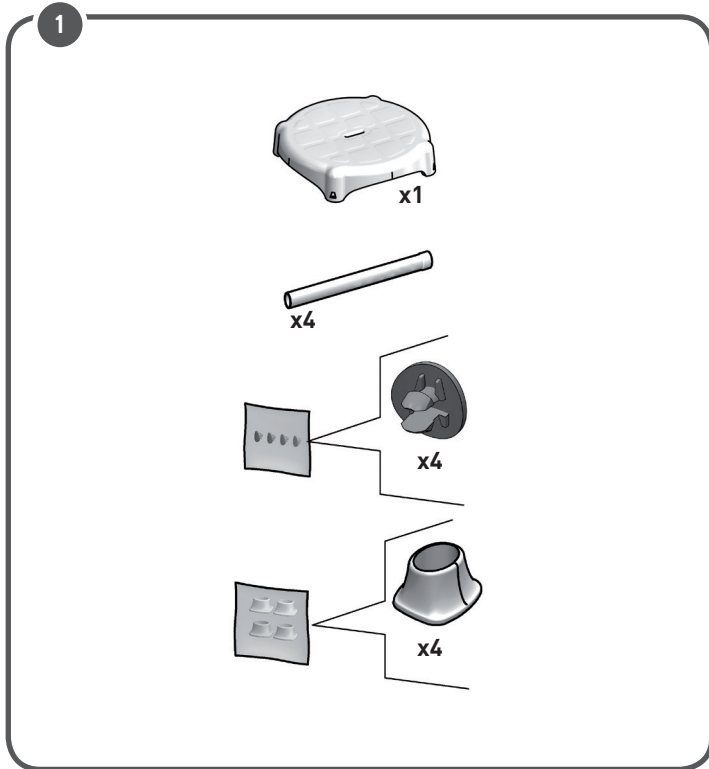
Do not dispose of the product in the normal household waste. Ask your local authority beforehand for the correct and environmentally friendly way to dispose it.

INCIDENT REPORTING:

If there was a serious incident involving this device, contact the manufacturer of this product at info@lmglobaldesign.com and the responsible authority in your country.



ROUND BATHROOM STOOL



MADE IN ITALY



2 YEARS GUARANTEE

