

INTENDED USAGE:

The *KING Shower Seat with Armrests* allows the user an increase in independence during the shower stage of daily personal hygiene, reducing muscle fatigue due to standing position as well as slip and injuries risks. The non slip rubber feet ensure grip with the floor, and the versions provided with the height adjustable legs allow the user to change easily the total height according to their requirements. In addition, the shower seat with customised height can be used with different length settings between the front and rear legs. In particular, the front legs can be lower than the rear ones: this allows the user to keep a more correct posture while taking a shower, as well as to facilitate standing and sitting procedures. Due to its flexibility, the shower seat can be positioned even on a bumpy and irregular floor, like those typical of many shower trays. The armrests give additional safety and comfort. The shower seat can be easily moved due to its light weight.

INDICATIONS AND CONTRAINDICATIONS:

The KING Shower Seat is aimed to elderly people, wheelchair users, people with reduced mobility of lumbar, knee or hip, and to all those who have difficulty to maintain the standing position during the shower stages of daily personal hygiene. The user is required to have autonomy of balance during the sitting and standing procedures as well as to have adequate ability to keep sitting. The shower seat must not be used if the user has problems related to balance or perception disorders.

SAFETY WARNING AND INDICATIONS:

- The maximum user weight indicated in the fitting instructions must not be exceeded.
- Before every use, be sure the shower seat is correctly assembled in a stable position.
- The shower seat can be used only on surface that are free from obstacles.
- During assembly, strictly adhere to what is shown in the User Manual.
- The risk of finger injuries may increase during the mounting process.
- Do not swing on the shower seat, this may lead to slipping, overturning or subsidence of the legs. Always keep the shower seat on its 4 legs.
- Do not modify the shower seat and its components in any way.
- Do not use the shower seat if damaged or altered in any way. Cracks and deformations may strongly affect the performances and safety of the device.
- After use, the shower seat should be removed from the shower tray to avoid any obstruction.
- Do not use the shower seat for a different purpose from the intended one.
- The shower seat must not be stored outdoors.

MAINTENANCE INFO:

The products maintenance consists of the cleaning and sanitation procedures. In order to guarantee a safe use and adequate standard of hygiene, the user should perform these procedures before every use.

The user has to make certain of the structural integrity of the device and its components and the tightness of the screws must be checked. For cleaning and sanitation procedures, follow the steps below:

1. Gloves should be worn.
2. Remove the evident dirt before to proceed with the most accurate disinfection.
3. Use water or non aggressive detergent for the cleaning procedure.
4. Wipe with a dry and clean cloth

Alternatively, the product can be cleaned in domestic dishwashers at the maximum temperature.

REUSE REQUIREMENTS:

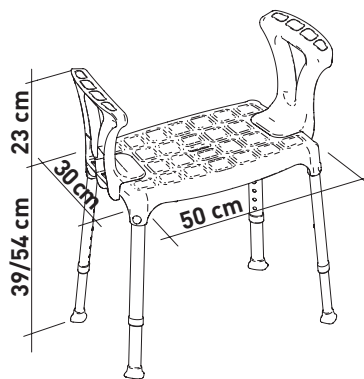
The product is suitable for reuse by other users. Before reuse by others, the product must be correctly cleaned and sanitized. Before the transfer of the product to others, the product must be checked by qualified dealers.

CORRECT DISPOSAL PROCEDURE:

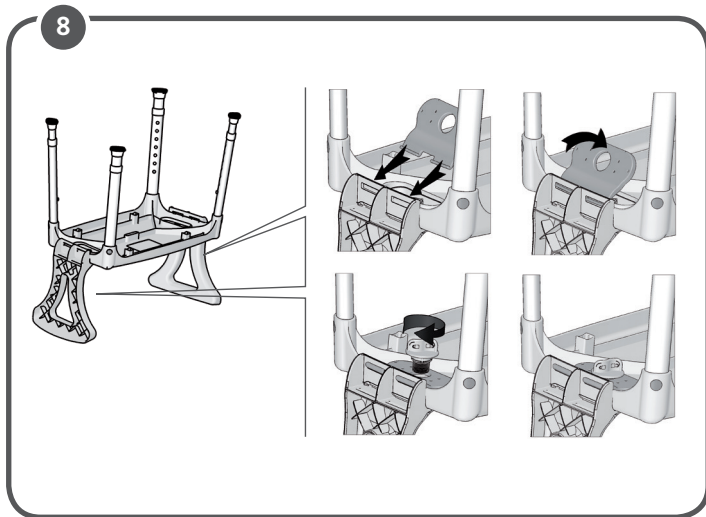
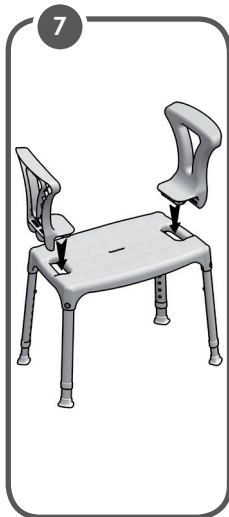
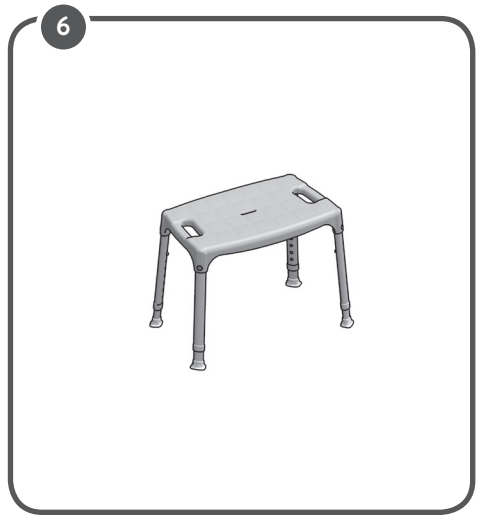
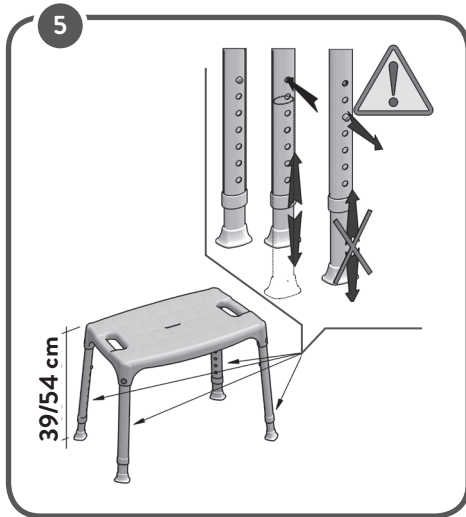
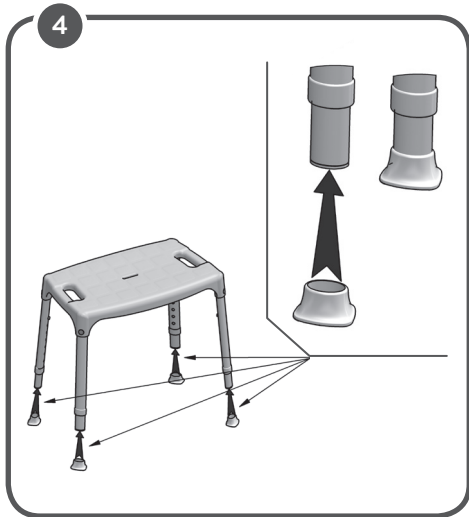
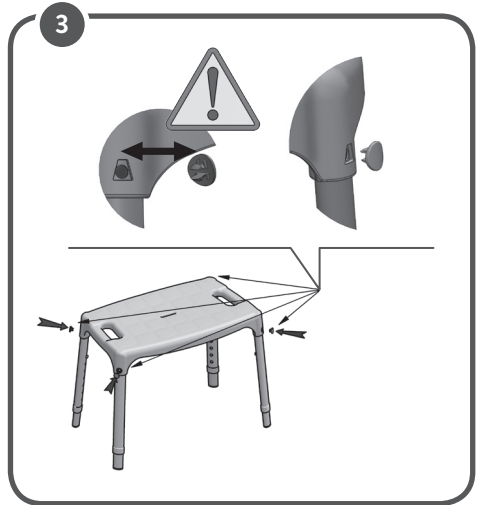
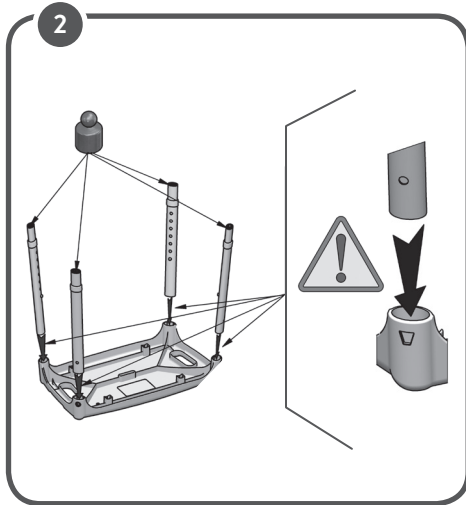
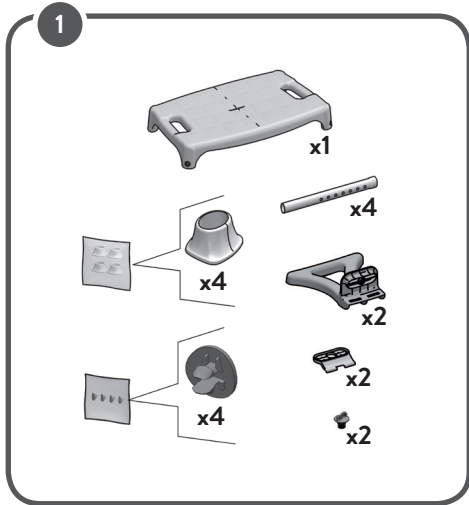
Do not dispose of the product in the normal household waste. Ask your local authority beforehand for the correct and environmentally friendly way to dispose it.

INCIDENT REPORTING:

If there was a serious incident involving this device, contact the manufacturer of this product at info@lmglobaldesign.com and the responsible authority in your country.



SHOWER SEAT WITH ARMRESTS



MADE IN ITALY



LM Global Design Ltd.
Guinness Enterprise Centre,
Taylor's Lane, D8,
Dublin, Ireland

(t) +353 1 6874012
(w) www.lmglobaldesign.com
(e) info@lmglobaldesign.com