

TECHNICAL FILE

PRODUCT RANGE: KING

CODE: KING-SCBA-00

DESCRIPTION: SHOWER CHAIR WITH OPENING, ARMRESTS AND BACKREST

PRODUCT FEATURES:

The KING Shower Chair with Opening & Backrest is designed for those who want to increase their comfort while showering and carrying out different hygiene operations in the bathroom. Backrest and armrest support offer more comfort, whenever extra support is needed. Hygiene opening can be positioned at the back or the front, which makes it easier to wash personal areas while showering. The ergonomically designed surface area of the seat reduces pressure, increasing user comfort. The anti-slip pattern of the seat surface prevents sliding during the hygiene operation to ensure maximum safety. The four legs are adjustable in height to better fit with the user needs. The seat is made of polypropylene, offering durability, strength, and warmth. The frame is made of anodized aluminium to ensure the best resistant against corrosion. All the surfaces are easy to clean.

MECHANICAL PERFORMANCE:

Max user weight 175 kg; 385 lbs.

CERTIFICATIONS:

CE Declaration of conformity of the Regulation (EU) 2017/745 Of The European Parliament and of The Council on medical devices (MDR).

APPLICABLE NORMS:

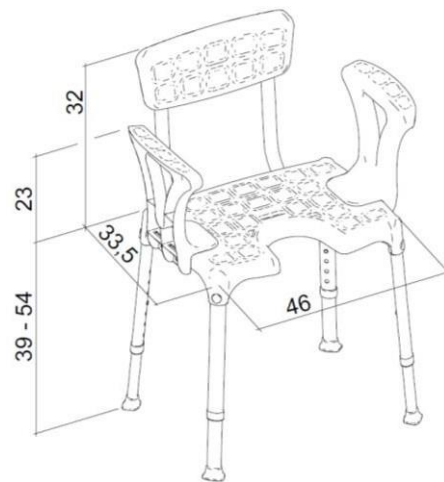
UNI EN 12182; UNI CEI EN ISO 14971; UNI EN 1041:2008+A1:2013; EN 1022:2018; EN 581-2:2015.

MAINTENANCE:

Periodically check that fixing fittings conform to initial mounting. Clean with water and non-aggressive detergent. Do not use abrasive or corrosive products.

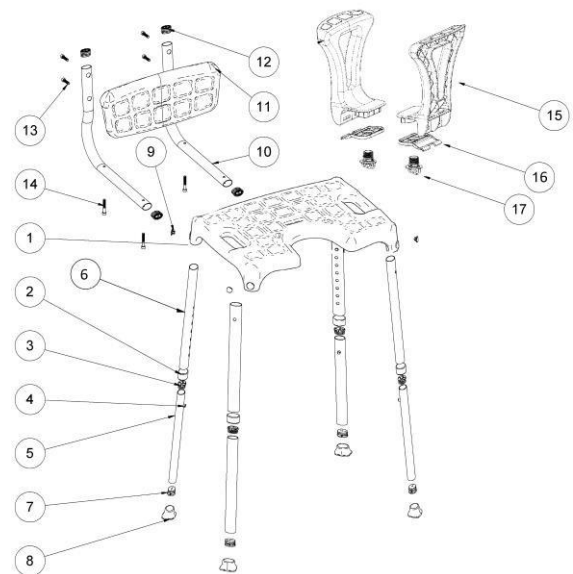
PRODUCT PACKAGING:

Box dimensions: 526X345X135 mm.
Gross Weight: 3.817 kg.
Net Weight: 3.19 kg.
Shipping carton dimensions: 914X564X366 mm.



PACKAGING COMPONENTS	Q.TY	CODE
Box	1	RB-KINGSCBA-00
Shipping Carton	1/6	SC-KINGSC-00
User Manual	1	UM-KINGSCBA-00
Box Label	1	BL-BKINGSCBA-00
Shipping Carton Label	1/6	BL-CKINGSCBA-00

PRODUCT COMPONENTS	Q.TY	MATERIAL	REF.
Seat	1	Polypropylene 30% CC	1
Backrest	1	Polypropylene 30% CC	11
Armrests	2	Polypropylene 30% CC	15
External Tube	4	Anodized Aluminium	6
Internal Tube	4	Anodized Aluminium	5
Backrest Frame	2	Anodized Aluminium	10
Ring connector	4	Polyethylene	2
Spring	4	Stainless Steel	4
Centring Caps	4	Polypropylene	3
Terminal Caps	4+4	Polypropylene	7/12
Rubber Caps	4	TPR	8
Screws	4+4	Inox Stainless Steel	13/14
Plugs for legs	4	PA6	9
Lower Clamp	2	Polypropylene 30% CC	16
Lower Screw	2	Polypropylene 30% CC	17



The above data cannot be binding. LM Global Design Ltd. reserves itself the right to make technical or aesthetic modifications without notice at any time.