

RAISED TOILET SEAT WITH LOCKING SYSTEM

INTENDED USAGE:

The products of the *KING Raised Toilet Seat (RTS)* line are designed to increase the height of the toilet bowl, in order to facilitate sitting down and getting up procedures and promoting independence and comfort. The versions provided with lid ensure better hygiene conditions during the toilet flush. The lid can be used as a seat while in the closed position.

INDICATIONS AND CONTRAINDICATIONS:

The KING Raised Toilet Seat is aimed to elderly people, wheelchair users, people with reduced mobility of lumbar, knee or hip and to all those might have difficulty in sitting down and getting up from the toilet bowl. The ability to sit independently is required during use. It is not recommended to use the RTS in case of perception disorders or balance problems while sitting.

SAFETY WARNINGS AND INDICATIONS:

- The maximum user weight indicated in the fitting instructions must not be exceeded.
- Before every use, be sure the RTS is in a stable position on the WC and correctly fixed on it by the special fixing accessories supplied.
- Do not overtighten the locking system.
- During the assembly, strictly adhere what is shown in the User Manual.
- Do not modify the RTS and its components in any way.
- Do not use the RTS if damaged or altered in any way. Cracks and deformations may strongly affect the performance and safety of the device.
- Be sure the RTS height is such as to make the use of it easy and safe for the user.
- During use, avoid positions that keep the body weight too much forward. Wrong positions may lead to instability and overturning of the RTS.
- The RTS must not be stored outdoors.

MAINTENANCE INFO:

The products maintenance consists of the cleaning and sanitation procedures. In order to guarantee a safe use and adequate standard of hygiene, the user should perform these procedures before every use. The user has to make certain of the structural integrity of the device and its components. For cleaning and sanitation procedures, follow the steps below:

1. Gloves should be worn.
2. Remove the evident dirt before to proceed with the most accurate disinfection.
3. Use water or non aggressive detergent for the cleaning procedure.
4. Wipe with a dry and clean cloth.

Alternatively, the RTS can be cleaned in domestic dishwashers at the maximum temperature.

REUSE REQUIREMENTS:

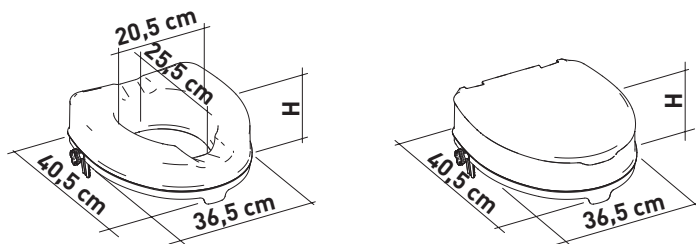
The product is suitable for reuse by other users. Before reuse by others, the product must be correctly cleaned and sanitized. Before the transfer of the product to others, the product must be checked by qualified dealers.

CORRECT DISPOSAL PROCEDURE:

Do not dispose of the product in the normal household waste. Ask your local authority beforehand for the correct and environmentally friendly way to dispose it.

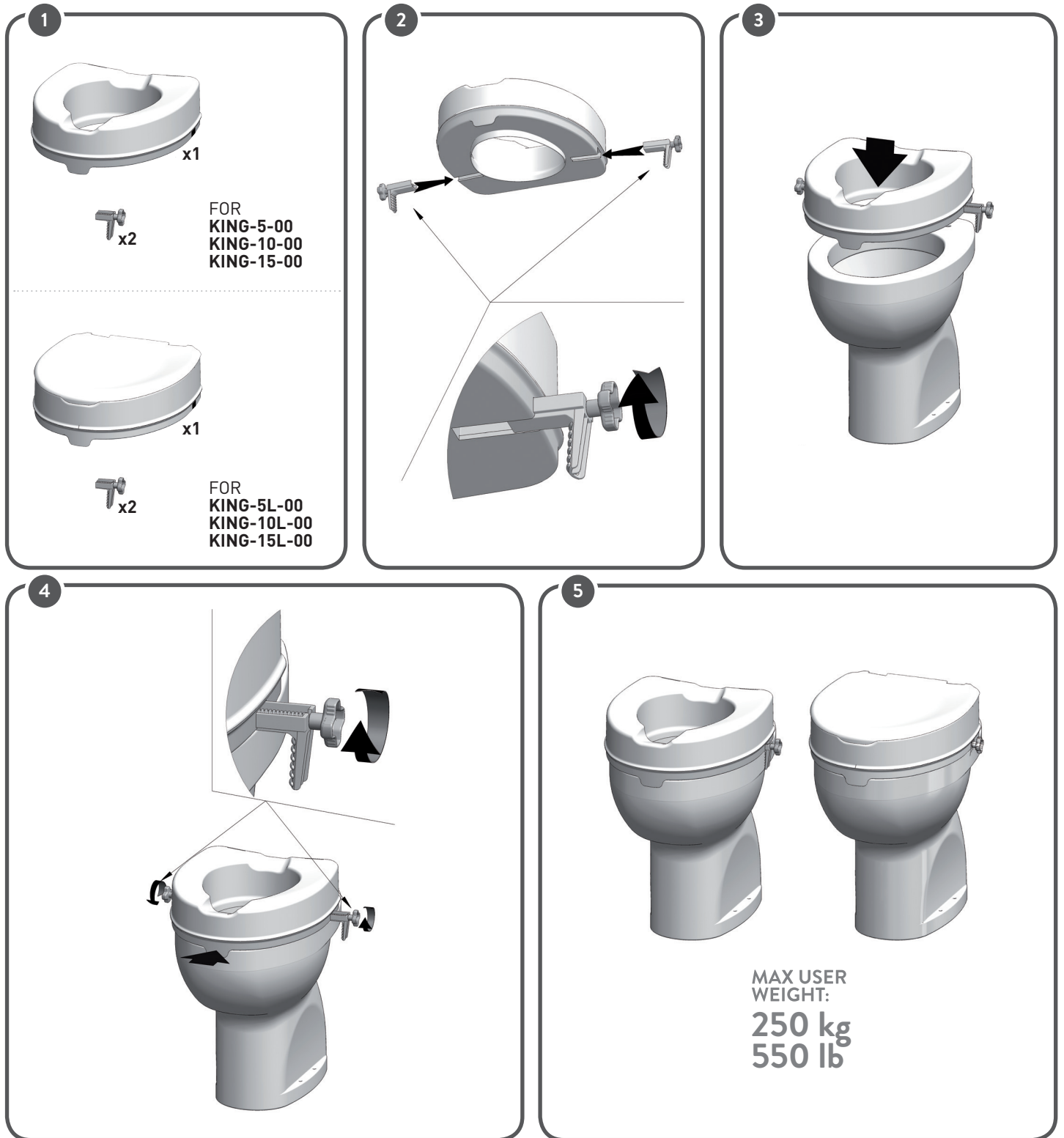
INCIDENT REPORTING:

If there was a serious incident involving this device, contact the manufacturer of this product at info@lmglobaldesign.com and the responsible authority in your country.



ITEM CODE	H	LID
KING-5-00	5 CM/2"	<input type="checkbox"/>
KING-10-00	10 CM/4"	<input type="checkbox"/>
KING-15-00	15 CM/6"	<input type="checkbox"/>
KING-5L-00	5 CM/2"	<input checked="" type="checkbox"/>
KING-10L-00	10 CM/4"	<input checked="" type="checkbox"/>
KING-15L-00	15 CM/6"	<input checked="" type="checkbox"/>

RAISED TOILET SEAT WITH LOCKING SYSTEM



MADE IN ITALY

